

Trouble Shooting Guide

Double Check Backflow Preventer

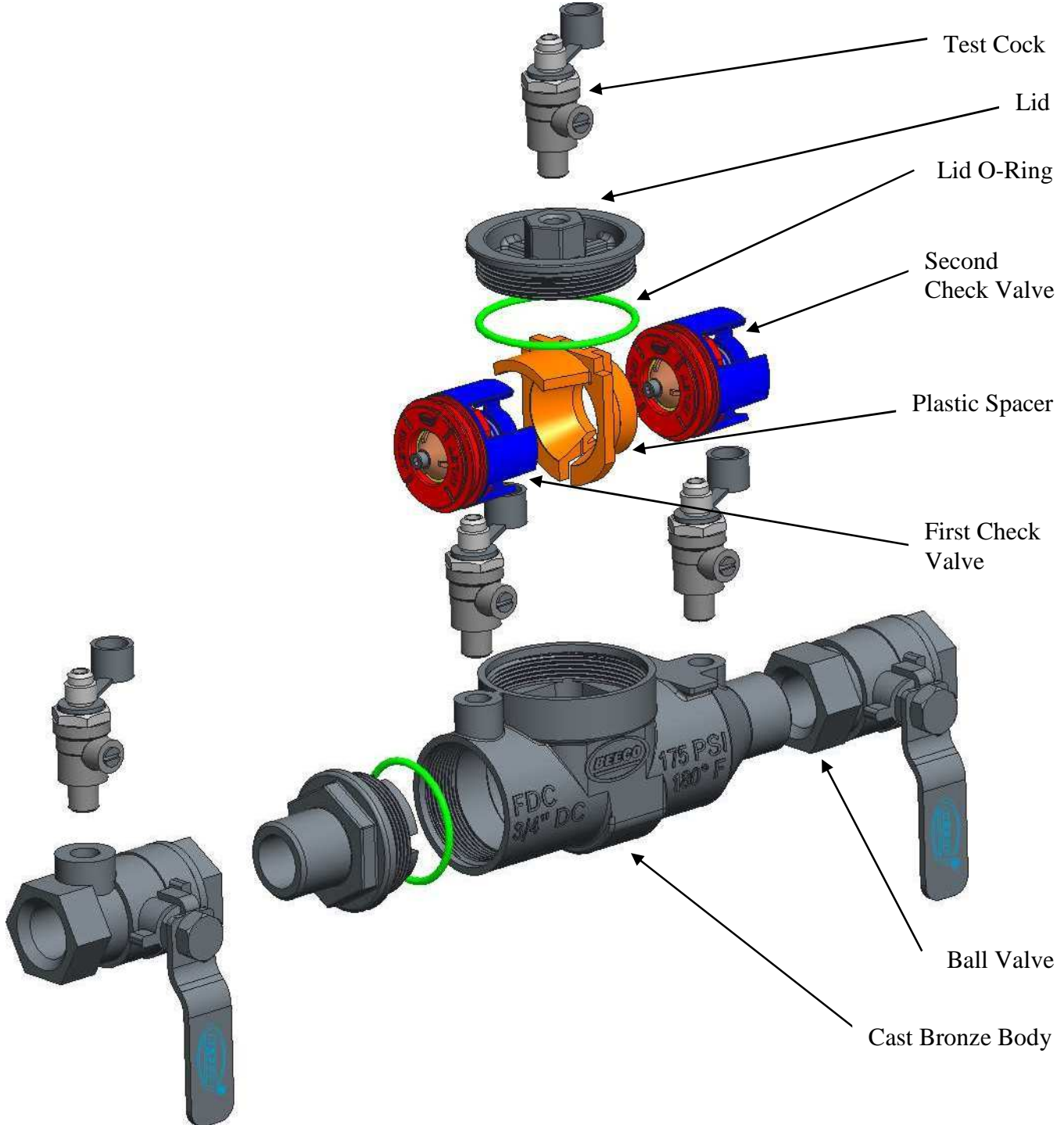
(2 1/2", 3", 4", & 6")

Double Check Detector Assembly (-DCDA)

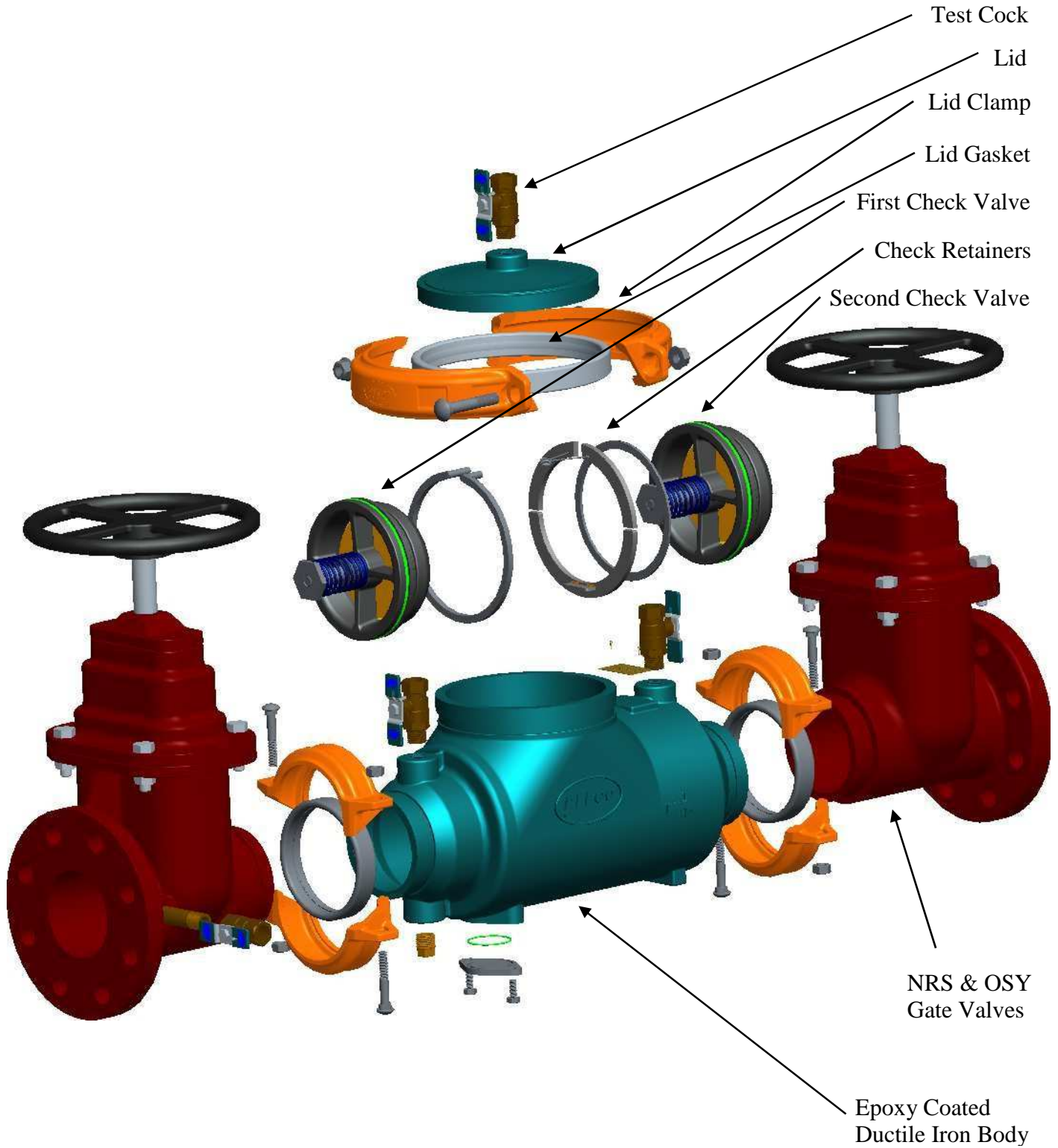
(2 1/2", 3", 4" & 6)



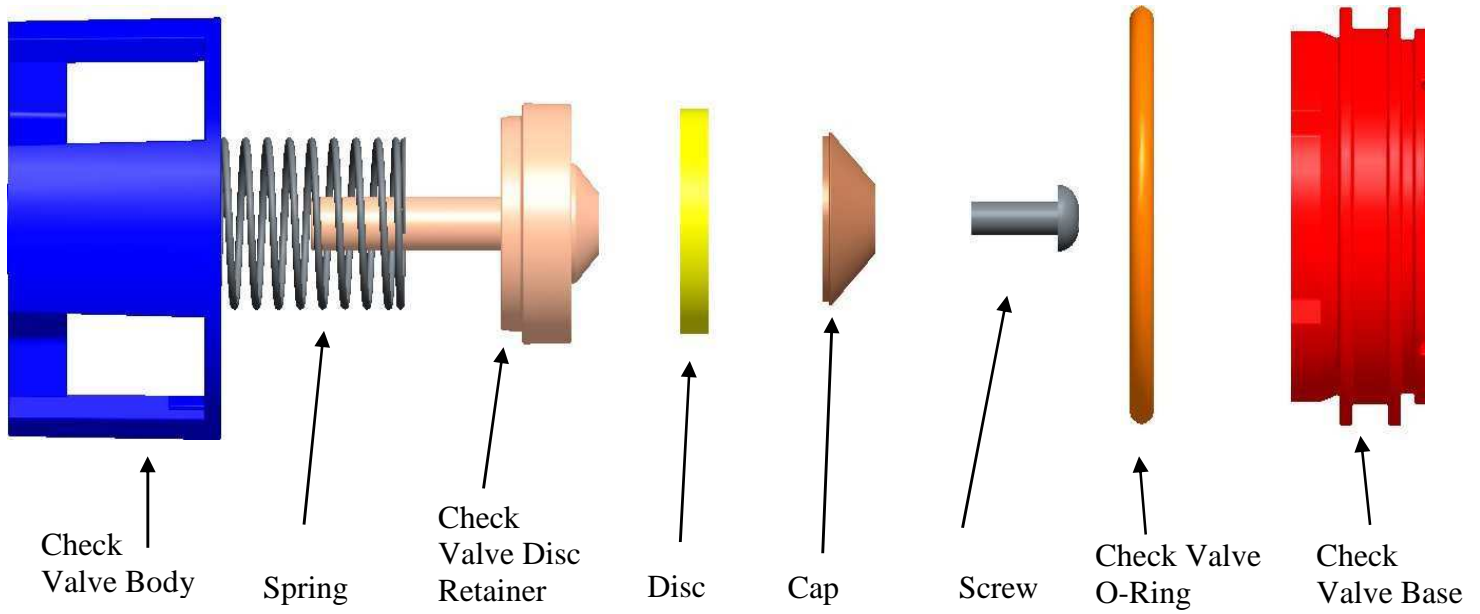
BEECO FRIENDLY DOUBLE CHECK (1/2" - 2")



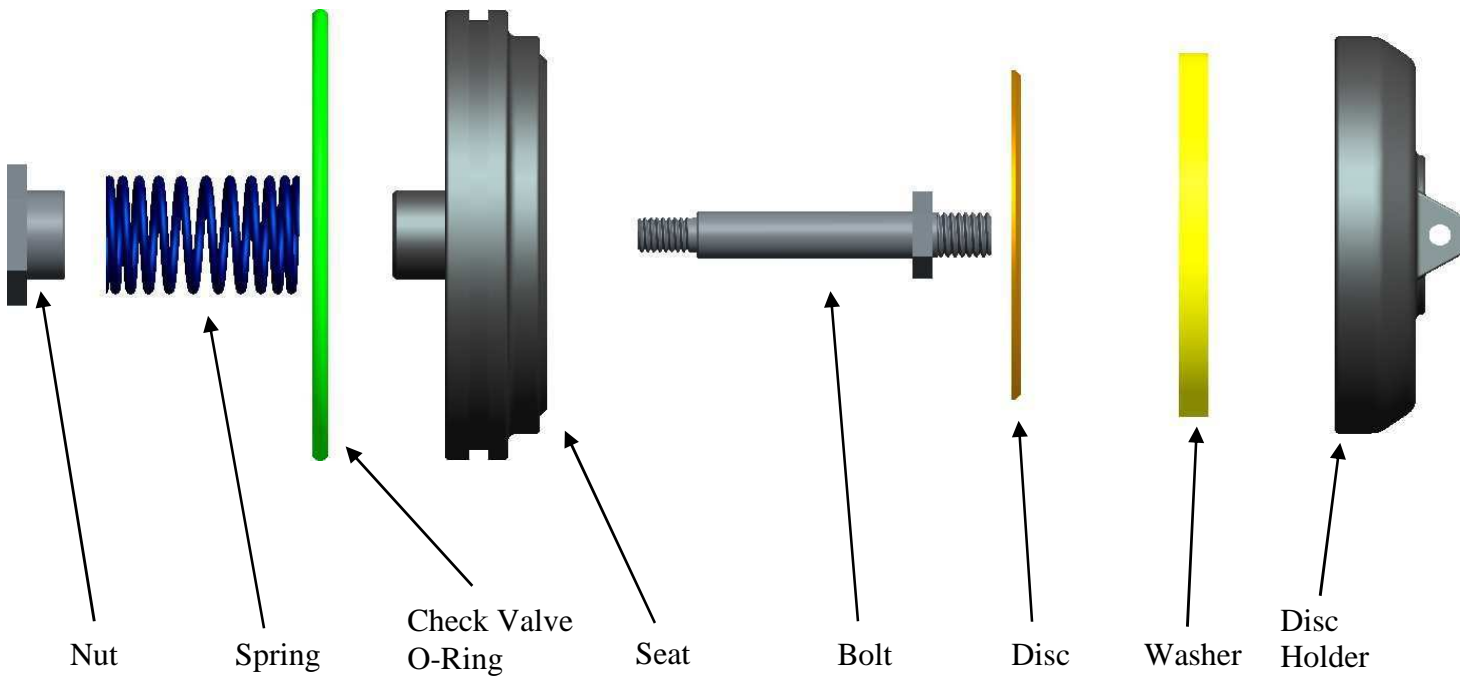
BEECO FRIENDLY DOUBLE CHECK (2 1/2" – 6")



BEECO CHECK VALVE (1/2" – 2")



BEECO CHECK VALVE (2 1/2" – 10")



Problem	Probable Causes
No flow	Device installed backwards.
	Upstream or downstream gate valves not open.
	Clogged strainer or clogged device.
Low flow	Low supply pressure.
	Pressure drop through the device.
	Device's gate valves not opened completely.
Valve quickly and repeatedly fouls following servicing	Debris in pipe line due to inadequate flushing.
Low first check differential	Damaged or dirty disc.
	Damaged or dirty first check valve.
	Fouled first check valve.
	Damaged spring (rare).
High first check differential	Downstream gate valve leaking severely and device is in a flow condition.
Hum or buzz	Gate valve supplied with the device not fully opened.
	Air is trapped inside the device.
Rapid degrading of internal rubber parts	Cold water device operating with hot water.
	Chemical degradation of elastomers due to aggressive action of foreign chemicals in water.
Inconsistent, erratic, or "impossible" test kit readings	Test kit hoses not hooked up to correct device test cocks.
	Test kit defective due to having been subjected to impact or freezing.
	Clogged test cocks.
High pressure drop	Fouled strainer.
	Device too small for flows encountered.

LIMITED WARRANTY: Beeco warrants each product against defects in material and workmanship for a period of one year from the date of original shipment. In the event of such defects within the warranty period, Beeco will, at its option, replace or recondition the product without charge. This shall constitute the exclusive remedy for breach of warranty, and Beeco shall not be responsible for any incidental or consequential damages, including without limitation, damages of other costs resulting from labor charges, delays, vandalism, negligence, fouling caused by foreign material, damage from adverse water conditions, chemicals, or any other circumstances over which Beeco has no control. This warranty shall be invalidated by any abuse, misuse, misapplication or improper installation of the product.

